

PARTS OVERVIEW

Items Needed: Sponge or Towel

There are 4 main components included in this box. Each of these components are contained within color-coded bags with a corresponding letter.

To identify a part within the box, look for the letter and color on each bag that corresponds with the parts listed to the right.

PART

A



DUO FLUSH™ Valve

The DUO FLUSH™ Valve saves water by allowing you to choose between half and full flushes.

PART

B



Angled Seat Adapter

The ANGLED SEAT ADAPTER is only necessary if you have a plastic ANGLED FLUSH VALVE SEAT.

PART

C



Brass Seat Adapter

The BRASS SEAT ADAPTER is only necessary if you have a BRASS FLUSH VALVE SEAT.

PART

D



Dual Action Handle (Handle)

The DUAL ACTION HANDLE will allow you to flush UP for a half flush and DOWN for a full flush.

CLEAR BAG



Overflow Hose and Clip

For use when upgrading to the complete DUO FLUSH™ System. (Contents and instructions included in clear bag.)

Fluidmaster®

DUO FLUSH™

DUAL FLUSH VALVE, HANDLE & ADAPTER INSTALLATION GUIDE



Visit www.duoflush.com for easy-to-follow installation videos and additional troubleshooting tips.

WARNING

DO NOT USE IN-TANK URINE-INHIBITING CLEANERS OR FLUSHING ADAPTERS. FAILURE TO FOLLOW THESE INSTRUCTIONS MAY CAUSE FLOODING AND PROPERTY DAMAGE AND MAY VOID THE WARRANTY. DO NOT OVERTIGHTEN NUTS OR TANK BOWL NUTS.

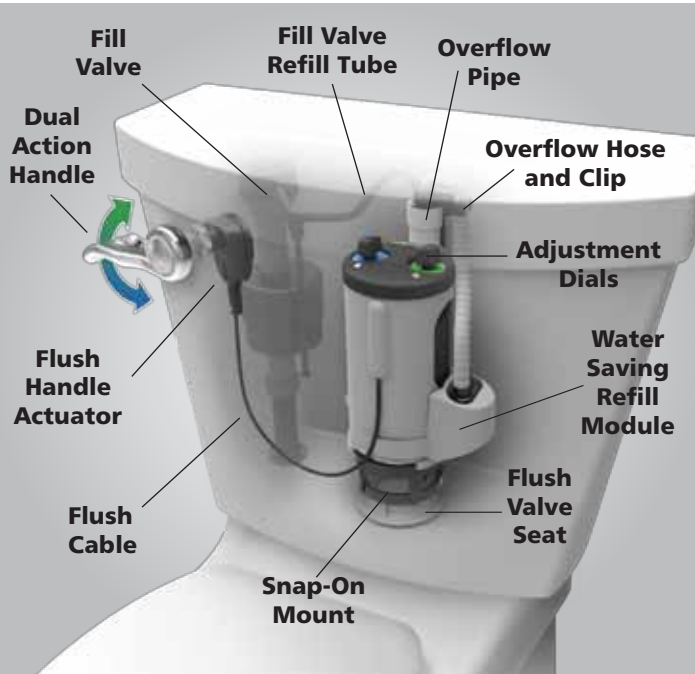


Fluidmaster Inc.

30800 Rancho Viejo Rd.,
San Juan Capistrano, CA 92675
www.fluidmaster.com
800.631.2011

PART# 25-0183, Rev. 3, 12/11

DUO FLUSH™ VALVE OVERVIEW

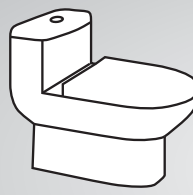


INCOMPATIBILITIES / SPECIAL NOTES

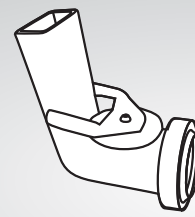
The systems and components shown here are not compatible with the Fluidmaster DUO FLUSH™ Valve.



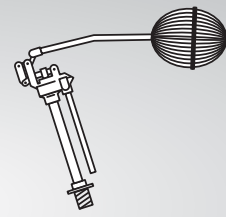
3" Flush Valves



Certain 1-piece toilets with Low-Boy tanks (less than 8" in height)



Kohler Side-Mount Valves



Ballcock Fill Valves

Can be replaced with Fluidmaster's PerformAX™ FILL VALVE 400ARHR.



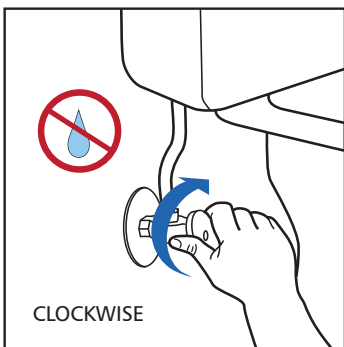
Mansfield Flush Valves

Requires installation of 2" flapper flush valve (not included).

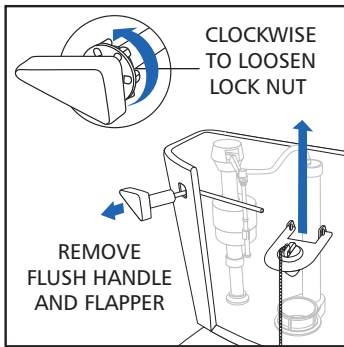
Can be replaced with Fluidmaster's 507 Flush Valve.

This device is not intended to be used as a retrofit device for 1.28 gpf water closet. Performance may vary since product was not tested on all models of water closets.

SECTION 1: PREPARING TO INSTALL THE DUO FLUSH™ VALVE



CLOCKWISE



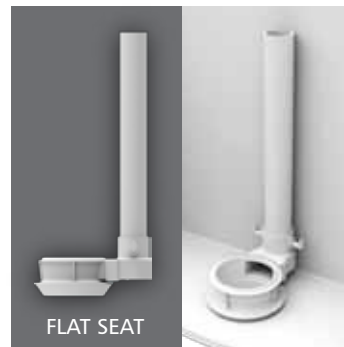
REMOVE FLUSH HANDLE AND FLAPPER

CLOCKWISE TO LOOSEN LOCK NUT

Step 1: Shut off the water supply to your toilet. Flush your toilet to drain the water from the tank. If necessary, sponge out any remaining water.

Step 2: Remove the existing flapper, chain and flush handle assembly from your tank. When removing the FLUSH HANDLE, note that the LOCK NUT may be reverse-threaded, so you may need to turn it clockwise to loosen it.

IDENTIFYING YOUR FLUSH VALVE SEAT



FLAT SEAT



ANGLED SEAT



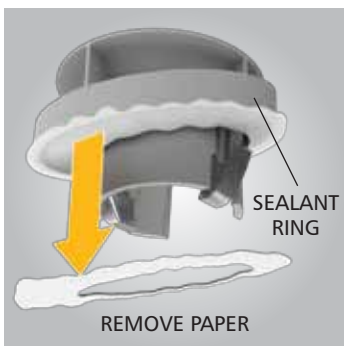
BRASS SEAT

Step 3A: Identify the type of FLUSH VALVE SEAT you have in your tank. If your plastic OVERFLOW PIPE has a FLAT SEAT as pictured above, proceed to Section 4 on the back side of this instruction guide.

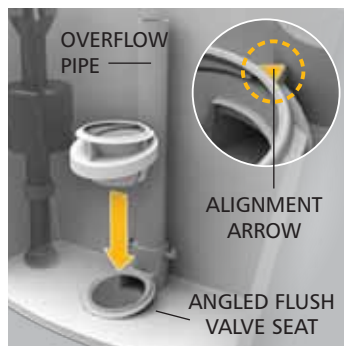
Step 3B: If your plastic OVERFLOW PIPE has an ANGLED SEAT, locate and remove the ANGLED SEAT ADAPTER from the yellow bag labeled "B." Follow the installation instructions below for SECTION 2.

Step 3C: If your OVERFLOW PIPE is brass, locate and remove the BRASS SEAT ADAPTER from the orange bag labeled "C." Follow the installation instructions below for SECTION 3.

SECTION 2: INSTALLING THE ANGLED SEAT ADAPTER



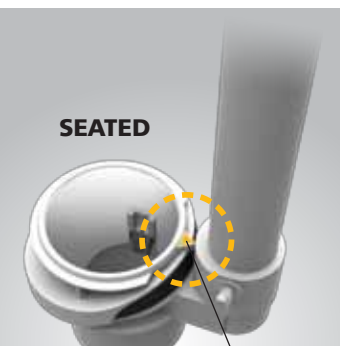
REMOVE PAPER



OVERFLOW PIPE

ALIGNMENT ARROW

ANGLED FLUSH VALVE SEAT



SEATED

ALIGNMENT ARROW

Step 4: Prior to installing the ANGELED SEAT ADAPTER make sure the bottom of the tank and flush valve seat are dry.

Step 6: Locate yellow arrow on the back of the ANGLED SEAT ADAPTER.

Step 7: Align yellow arrow on ANGLED SEAT ADAPTER directly toward the plastic OVERFLOW PIPE.

Step 8: Firmly press the ANGLED SEAT ADAPTER onto the flush valve seat as shown above.

Proceed to Section 4.

SECTION 3: INSTALLING THE BRASS SEAT ADAPTER



SEAT SURFACE MUST BE FLAT



Step 10: Wipe down the BRASS FLUSH VALVE SEAT before installing to check for mineral build-up. If the OVERFLOW PIPE is threaded on (some are, some aren't) make sure it's tight by twisting clockwise before installing the BRASS SEAT ADAPTER.

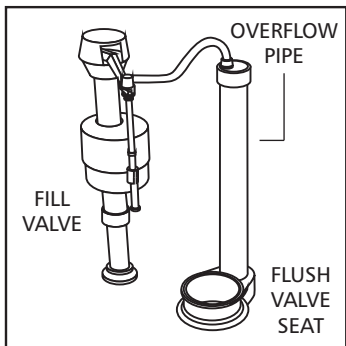


SEATED

Step 11: Remove the FILL VALVE REFILL TUBE from the top of the OVERFLOW PIPE. Slide the BRASS SEAT ADAPTER down the pipe and snap it to the FLUSH VALVE SEAT as shown. Re-attach the FILL VALVE REFILL TUBE to the top of the OVERFLOW PIPE. **Proceed to Section 4.**

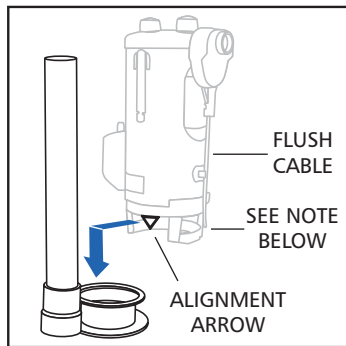
TURN OVER INSTRUCTIONS FOR NEXT STEPS

SECTION 4: INSTALLING THE DUO FLUSH™ VALVE

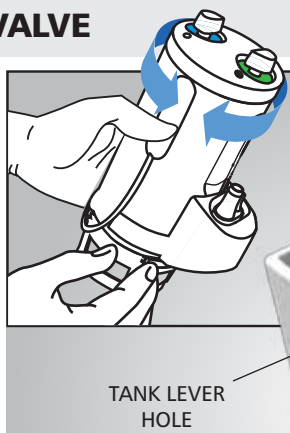


Step 12: Ensure that the FILL VALVE REFILL TUBE is still attached to your OVERFLOW PIPE.

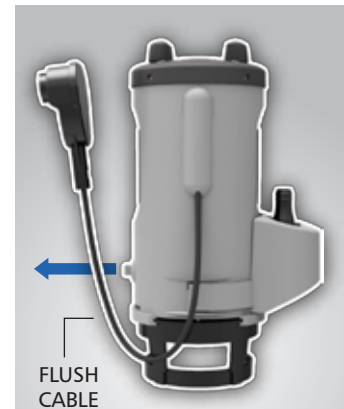
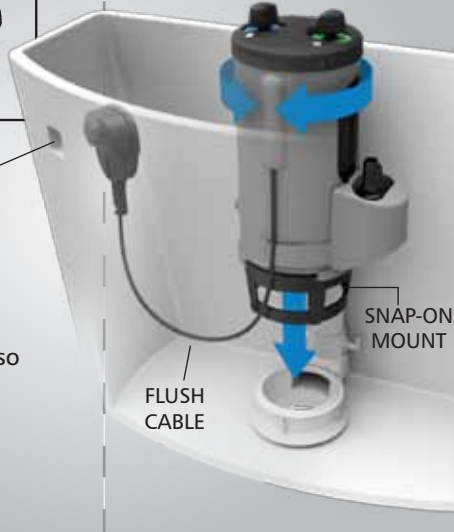
Remove foam around ADJUSTMENT DIALS.



Step 13: Locate white arrow on SNAP-ON MOUNT and align it facing the OVERFLOW PIPE. Do not install yet.

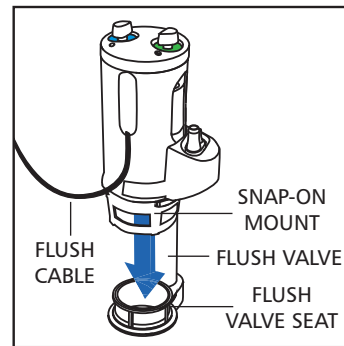


Step 14: Rotate DUO FLUSH™ on SNAP-ON MOUNT so the FLUSH CABLE points directly toward the tank lever hole.



Step 15: Unsnap FLUSH CABLE from DUO FLUSH™.

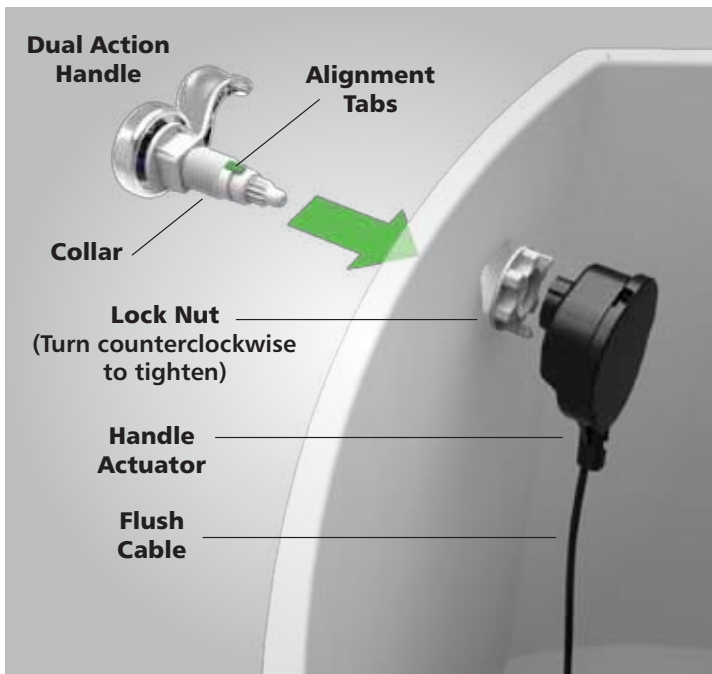
Note: Make sure not to sharply bend or kink the FLUSH CABLE.



Step 16: Press DUO FLUSH onto seat.

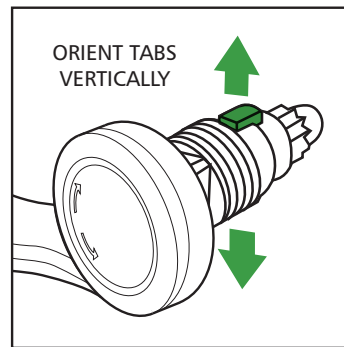
Note: Be sure the FLUSH CABLE is not caught between the SNAP-ON MOUNT and the FLUSH VALVE SEAT when installing.

SECTION 5: INSTALLING THE DUAL ACTION HANDLE

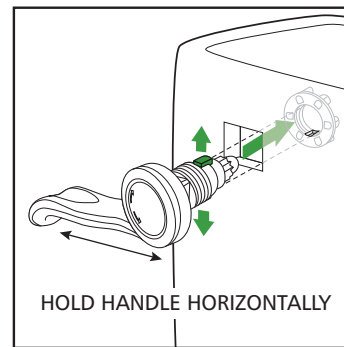


Step 17: Remove the HANDLE from the green bag labeled D.

Step 18: Unthread LOCK NUT in a clockwise rotation on HANDLE.



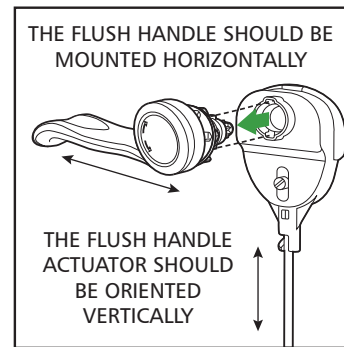
Step 19: Rotate handle COLLAR so alignment tabs are positioned vertically.



Step 20: Insert the HANDLE into toilet hole.

Step 21: Install nut counter-clockwise to tighten.

Step 22: Ensure that the HANDLE is positioned horizontally by holding handle horizontally before snapping into place into tank.



Step 23: Attach HANDLE ACTUATOR to the handle COLLAR on HANDLE. If necessary, rotate DUO FLUSH™ on SNAP-ON MOUNT so the FLUSH CABLE angles toward the tank lever hole.

Step 24: Turn water on to fill tank.

SECTION 6: WATER LEVEL ADJUSTMENT: HALF FLUSH



Step 25: Ensure that the half flush and full flush are both set to MAX settings before you start adjusting your settings. To adjust the settings, push the knob down and turn.

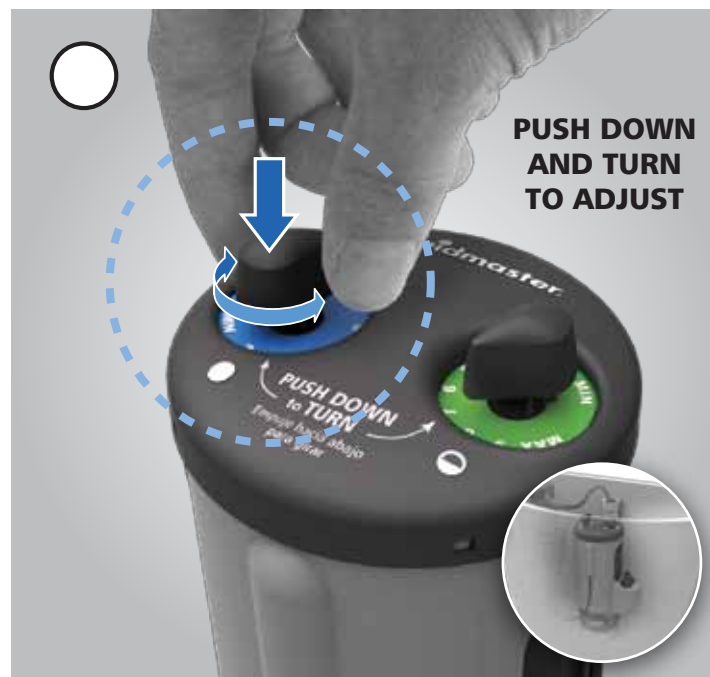
Step 26: THE ADJUSTMENT DIAL with GREEN DISC (look for the ◐ symbol) controls your half flush. Press down and turn to "MAX" to start.

A. Drop 3 pieces of toilet paper into the bowl and ROTATE the HANDLE upward (half flush). If the flush is successful, adjust the setting to the next lower numbered setting. Repeat step A.

B. Continue to adjust the setting to the next lowest number until the flush is not successful.

C. Adjust your setting back to the last successful flush setting that provided you with a successful flush.

SECTION 7: WATER LEVEL ADJUSTMENT: FULL FLUSH



Step 27: The ADJUSTMENT DIAL with BLUE DISC (look for the ◑ symbol) controls your full flush.

A. Start the full flush dial 1 setting higher than the half flush setting.

B. Drop 3 pieces of toilet paper into the bowl and ROTATE the HANDLE downward (full flush). If the flush is successful keep setting as is.

C. If the contents in your toilet bowl do not successfully flush down after use, adjust setting up to the next highest number. Repeat step B.

DUO FLUSH™ TROUBLESHOOTING

1. Tank Lid Interference on Half (Upward) Flush

Problem: Tank lever hits tank lid forcing the user to hold the handle

Solution: Remove handle actuator by holding the top end of actuator and pull away from dual action handle collar. DO NOT pull on FLUSH CABLE when removing the handle actuator.



Rotate handle downward 15 (degrees) and reinsert actuator into handle.

If tank lever does not fit properly on your toilet tank, for further help visit www.duoflush.com or call Fluidmaster Technical Support at (800) 631-2011) M-F 7:30 am – 4:30 pm PST.

2. Seal Leaking

Problem: The tank continues to leak water causing water loss in the tank.

Solution:

First remove the handle actuator by holding the top end of the actuator and pull away from dual action handle collar. Grab the top of the Duo Flush and gently rock (away from fill valve) and pull up on Duo Flush. Once released clean seat and inspect piston seal at bottom ensuring the seal is centered on piston. Reattach Duo Flush and handle actuator. Turn on water and recheck water level for leaking.



3. PerformMAX™ Fill Valve

Problem: Why do I need a PerformMAX™ fill valve?

Solution: The PerformMAX™ Fill Valve optimizes the performance of your toilet bowl's flush.



In combination with the Water Savings Refill Module, the PerformMAX™ Fill Valve will maximize your toilet's flush performance by ensuring the water level in your toilet bowl is correct with every flush.

4. Unused Parts

Problem: Why do I have parts left over from my kit?

Solution: Depending on the type of flush valve you have identified, you may have additional parts left which may include an angled seat adaptor, brass seat adaptor and the overflow tube and clip.

Note: The overflow tube and clip (in the clear plastic bag) should be used with the PerformMAX™ Fill Valve. If you currently do not have the PerformMAX™ Fill Valve, save parts for future use.

5. Half flush will not adequately remove waste

Move the HALF FLUSH ADJUSTMENT DIAL (Green) to a higher number to allow more water to be flushed.

6. Full flush will not adequately remove waste

Move the FULL FLUSH ADJUSTMENT DIAL (Blue) to a higher number to allow more water to be flushed.

7. Angled Seat Adapter Removal

If you need to remove the ANGLED SEAT ADAPTER from your system, pull the adapter upward firmly to release it from the FLUSH VALVE SEAT. For further assistance, call Fluidmaster Technical Support at (800) 631-2011 M-F 7:30 am - 4:30 pm PST.

More Information

Please visit our website at www.fluidmaster.com for more solutions to common toilet problems.

Do not return to the store.

Call technical support first if you have an installation problem.

For further help visit www.duoflush.com or call Fluidmaster Technical Support at (800) 631-2011) M-F 7:30 am – 4:30 pm PST.