

FLUIDMASTER® 830VBGB 3" DUAL FLUSH VALVE INSTALLATION INSTRUCTIONS FOR GLACIER BAY® AND OTHER TOILETS

WARNING

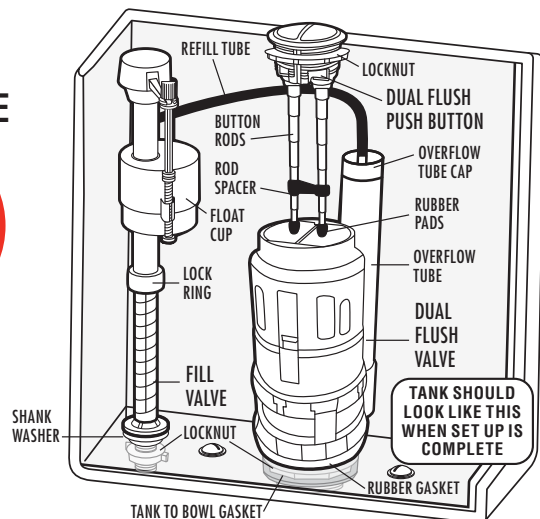
DO NOT USE IN-TANK DROP-IN TOILET BOWL CLEANERS CONTAINING BLEACH OR CHLORINE. Use of such products will: (1) RESULT IN DAMAGE to tank components and MAY CAUSE FLOODING and PROPERTY DAMAGE and (2) VOID FLUIDMASTER WARRANTY. Fluidmaster Flush 'n Sparkle Toilet Bowl Cleaning System is recommended for those choosing to use in-tank bowl cleaners and WILL NOT VOID the FLUIDMASTER WARRANTY because it will not damage the components. DO NOT over-tighten nuts or tank/bowl may crack. Always use quality Fluidmaster parts when installing or repairing. Fluidmaster will not be responsible or liable for use of non-Fluidmaster parts during installation or repair.

LIMITED FIVE-YEAR EXPRESS WARRANTY

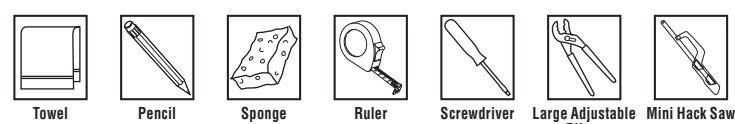
Subject to the "Exclusions" set forth below, Fluidmaster Inc. promises to the consumer to repair, or at the option of Fluidmaster Inc. to replace any part of this plumbing product which proves to be defective in workmanship or materials under normal use for five years from the date of purchase. All costs of removal, transportation and reinstallation to obtain warranty service shall be paid by the consumer. During this "Limited Five Year Express Warranty," Fluidmaster Inc. will provide, subject to the "Exclusions" section set forth below, all replacement parts free of charge, necessary to correct such defects. This "Limited Five Year Warranty" is null and void if this plumbing product has not been installed and maintained in accordance with all written instructions accompanying the product, and if non-Fluidmaster Inc. parts are used in installation.

EXCLUSIONS: FLUIDMASTER INC. SHALL NOT BE LIABLE FOR INCIDENTAL OR CONSEQUENTIAL DAMAGES, INCLUDING COSTS OF INSTALLATION, WATER DAMAGE, PERSONAL INJURY OR FOR ANY DAMAGES RESULTING FROM ABUSE OR MISUSE OF THE PRODUCT, FROM OVERTIGHTENING OR FROM FAILURE TO INSTALL OR MAINTAIN THIS PLUMBING PRODUCT IN ACCORDANCE WITH THE WRITTEN INSTRUCTIONS, INCLUDING USE OF NON-FLUIDMASTER PARTS. DO NOT USE IN-TANK DROP-IN TOILET BOWL CLEANERS CONTAINING BLEACH OR CHLORINE. USE OF SUCH PRODUCTS WILL RESULT IN DAMAGE TO TANK COMPONENTS AND MAY CAUSE FLOODING AND PROPERTY DAMAGE. USE OF SUCH PRODUCTS WILL VOID THIS WARRANTY.

DO NOT USE



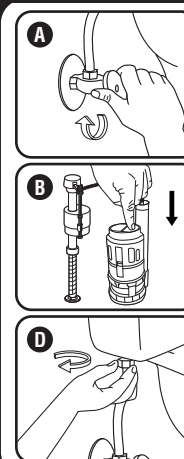
TOOLS NEEDED



PARTS IN THIS KIT:

- (1) Fluidmaster 3" Replacement Dual Flush Valve
- (1) Rubber Gasket
- (1) Locknut
- (1) Overflow Tube Cap
- (2) Button Rods
- (1) Rod Spacer
- (2) Rubber Pads

PREPARATION

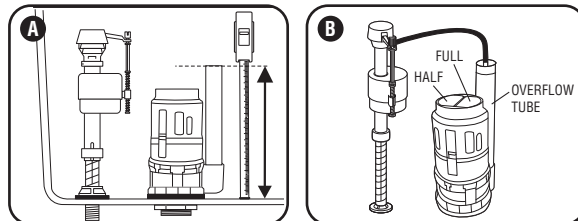


1 Preparation 1

- A. Remove tank lid. Use pencil to mark water level of tank. Then follow steps A-D.
- A. Turn off water supply (Clockwise).
- B. Press and hold the full flush valve button until all the water drains from the tank.
- C. Remove any excess water with a sponge.
- D. Disconnect the supply line.

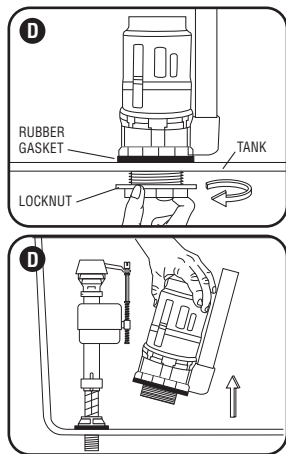
2 Preparation 2

- A. Measure and record the distance from the bottom of the tank to the top of the overflow tube on the existing valve.
- B. Observe and note the position of the valve buttons (FULL vs. HALF) and the orientation of the overflow tube.
- C. Prepare a flat surface to place the tank once it has been removed. Covering the flat surface with a towel can protect the tank and prevent it from sliding as well.



3 Remove Old Parts

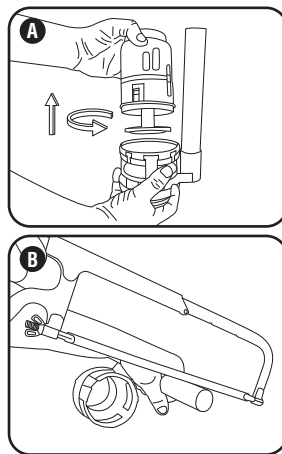
- A. Using a screwdriver and an adjustable wrench, loosen the bolts that hold the tank to the bowl and remove the tank. Keep all bolts, washers and screws as they will be used to re-attach the tank once the flush valve has been replaced.
- B. Once the tank has been removed, place the tank on the prepared flat surface.
- C. Inspect the tank to bowl gasket (between the tank and bowl) for any damage, deformation, or wear. If necessary, replace the tank to bowl gasket with Fluidmaster Tank to Bowl Gasket 6110.
- D. Remove overflow hose from the top of the overflow tube. Loosen the locknut, from beneath the tank, using a pair of adjustable pliers if necessary, and remove the existing flush valve.



CONFIGURATION

4 Configuration 1

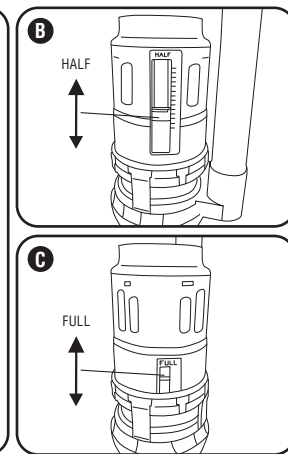
- A. Separate the body of the Fluidmaster Replacement Flush Valve from the mounting base by rotating counterclockwise until it is possible to gently lift the valve out.
- B. Measuring from the bottom of the rubber gasket, mark the overflow tube of the Fluidmaster Replacement Flush Valve using the measurement from Step 2A. Once the tube has been marked, use a hacksaw to cut the overflow tube at the height marked.



5 Configuration 2

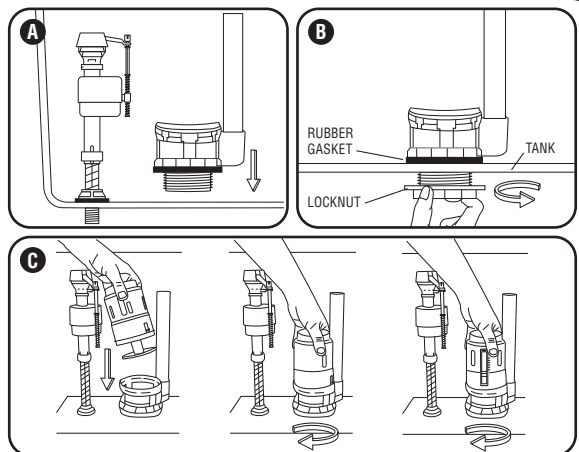
- A. Consult the included chart to find your toilet model and the settings for the full and half flush settings.
- B. Adjust the half flush float. Locate the BLUE float and scale marked at the top with the word "HALF". While pressing firmly on the gray tab, slide the float up or down until it reaches the setting in chart.
- C. Adjust the full flush window. Locate the GRAY adjustment and scale marked at the top with the word "FULL". Slide the gray tab up or down until it reaches the setting in chart.

Glacier Bay Model	FULL Flush Window	HALF Flush Window
2316	#3	#6
2428	#3	#6
2430	#3	#1
Don't Know	#3	#1



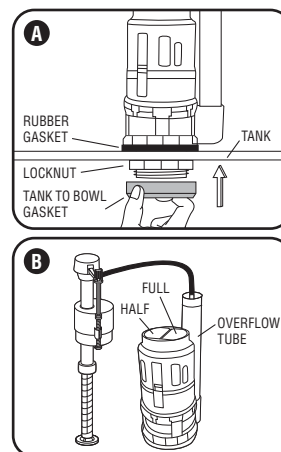
6 Installation 1

- A. Place the mounting base of the Fluidmaster Replacement Flush Valve in the tank and install loosely with the locknut. Referencing the positions noted in Step 2B, rotate the valve until the overflow tube is in the original position and is not touching the side of the tank or any other items in the tank.
- B. Tighten the locknut on the shank of the Fluidmaster Replacement Flush Valve. When tightening the mounting base into place, make sure the overflow tube remains in position, is not touching the tank, and not touching any other items in the tank. The valve should remain in place once the locknut is tightened. **NOTE: Tighten the locknut one half turn past hand tight.**
- C. Replace the valve body into the mounting base and rotate clockwise to secure in place.



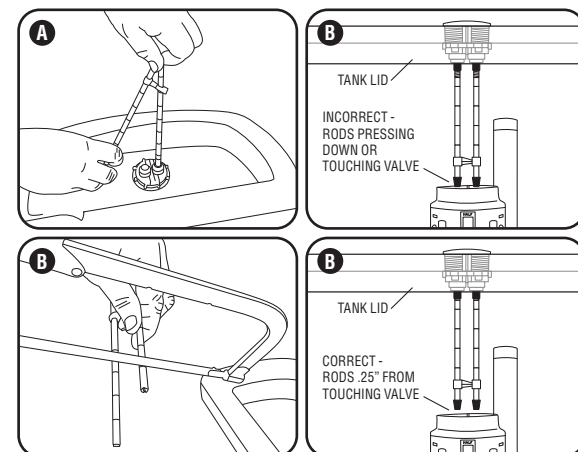
7 Installation 2

- A. Apply the tank to bowl gasket to the flush valve. Secure the tank to the bowl again using a screwdriver and crescent wrench. **NOTE: Do NOT over-tighten the bolts as doing so may break the tank.**
- B. Once the tank is attached to the bowl, observe the orientation of the valve buttons on the top of Fluidmaster Replacement Flush Valve. Rotate the body of the flush valve until the half flush (BLUE) and full flush valve buttons (GRAY) are rotated to match the original orientation in Step 2B. **NOTE: It may be necessary to remove the body, rotate, and replace into the mounting body to achieve the proper alignment.**
- C. Attach the overflow tube cap to the overflow tube and reconnect the overflow hose.



8 Button Installation

- A. Remove the rods from the existing button by unscrewing until the rods come free. Using the rods supplied with your Fluidmaster Replacement Flush Valve, insert the rods into the button and rotate clockwise until the rods will not go any further. Remove the rubber pads at the bottom of the rods and the spacer.
- B. With the new rods in place, replace the lid on the tank. If the rods prevent the lid from being replaced, cut the rods one segment at a time until it is possible to replace the lid without the rods coming into contact with the valve. The rods should NOT be touching the top of the flush valve. If the rods do not activate the valve properly, use the fine adjust by rotating the rod counter clockwise to lengthen the rod 1/4" at a time until the rods activate the valve without touching the valve. At this point install the spacer and the rubber pads onto the rods.

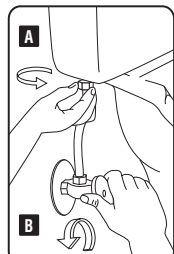


9 Attach Water Supply Connector

- A. Inspect water supply connector. Replace it if it is worn or over 5 years old to help prevent flooding and property damage.
- A. Attach water supply coupling nut to fill valve. Turn coupling nut clockwise by hand until tight.

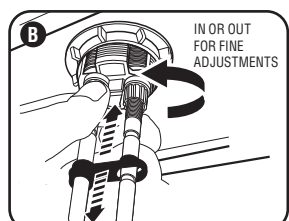
WARNING: Do not over tighten the nut as it could damage fill valve or coupling nut, resulting in flooding and property damage. Fluidmaster Click Seal® connector is recommended: A perfect seal every time without over tightening.

- B. Turn on water supply and check for leaks. If you find leaking at water supply connector, turn nut just enough to stop leaking.



10 Finishing Up

- A. Allow the tank to completely fill with water. If the toilet "runs" with water constantly running from the tank to the bowl, it is possible that the buttons rods are too long. Remove the lid. If the running stops, the rods are touching the top of the valve and are too long. Cut one segment and replace the lid.
- B. Press the half flush button. If the toilet does not flush, it could be that the rods are too short. The rods can be extended by rotating them counter-clockwise until the proper length is achieved. Once the proper length has been achieved, tighten the black locknuts at the base of the rods.



TROUBLESHOOTING

THE FILL VALVE TURNS ON AND OFF BY ITSELF: OR IS RUNNING WHEN NO FLUSH HAS TAKEN PLACE

- Make sure the push button rods are not so long they come into contact with the flush valve paddles. The rods should be .25" above Dual Flush paddles.
- Check that you placed the Refill Tube onto overflow Tube Cap and Refill Clip and did not insert refill tube directly into the overflow tube. If refill tube is inserted directly into overflow tube then remove tube and place on Tube and Refill Clip.
- Flush valve lock nut may be loose, remove tank and retighten flush valve lock nut, go 1/2 turn beyond hand tight to ensure a tight seal.

WATER LEAKS WHEN I TURN ON WATER AT BOTTOM OF FILL VALVE

- Check your water supply line, hand tighten nut only if leak does not stop replace water supply line with a Fluidmaster Click Seal® Water Supply Line.

I CUT THE BUTTON RODS TOO SHORT. WHERE DO I GET A REPLACEMENT?

- Call Fluidmaster Technical Service Department for replacement parts 800-631-2011 Hours of operation are from 5:30 AM to 5:00 PM M-F Pacific Standard Time.

THE FILL VALVE WILL NOT SHUT OFF AND CONTINUES TO RUN NONSTOP

- Replace the fill valve with a Fluidmaster PerforMAX™ High Performance Toilet Fill Valve (Model # 400ARHR).
- For older dual flush valves replace the master seal with Replacement Seal 83SGB. See "REPLACING THE MASTER SEAL" section.

Replacing the Master Seal

- 1) Turn off water supply and flush toilet.
- 2) Remove lid from toilet tank - do NOT remove button from lid.
- 3) Note position of half and full flush paddles on the top of the flush valve (Figure A).
- 4) Holding the valve body, rotate the valve until it is possible to remove the valve body from the shank (Figure B).
- 5) Holding the edge of the silicone seal, pull the seal and peel away from the sealing piston - discard the old seal.
- 6) Place the inside edge of the replacement seal against the inside edge of the sealing piston (Figure C). Important Note: Ensure that the "smooth" side of the seal is facing out while the "rough" side is facing the sealing piston.
- 7) Holding the edge of the replacement seal, pull until the seal installs onto the piston.
- 8) Inspect the seal to make sure the entire inner edge of the seal is making contact with the inner edge of the sealing piston.
- 9) Replace the valve body in the shank, and rotate the valve until the position of the half and full flush paddles are returned to their original position (Figure D). Replace the lid, turn on the water supply.

